

SINGLE AND DOUBLE ACTION HINGES



The quality benchmark

GROOM PRODUCT ADVANTAGES

- Opening range to 180°
- Tested 200 000 cycles
- For door waighing up to 100 kg
- Unremovable thanks to riveted pins
- Silent thanks to self lubricating rings
- From 75 mm to 200 mm high
- Several finishes available: steel, silver lacquered and stainless steel

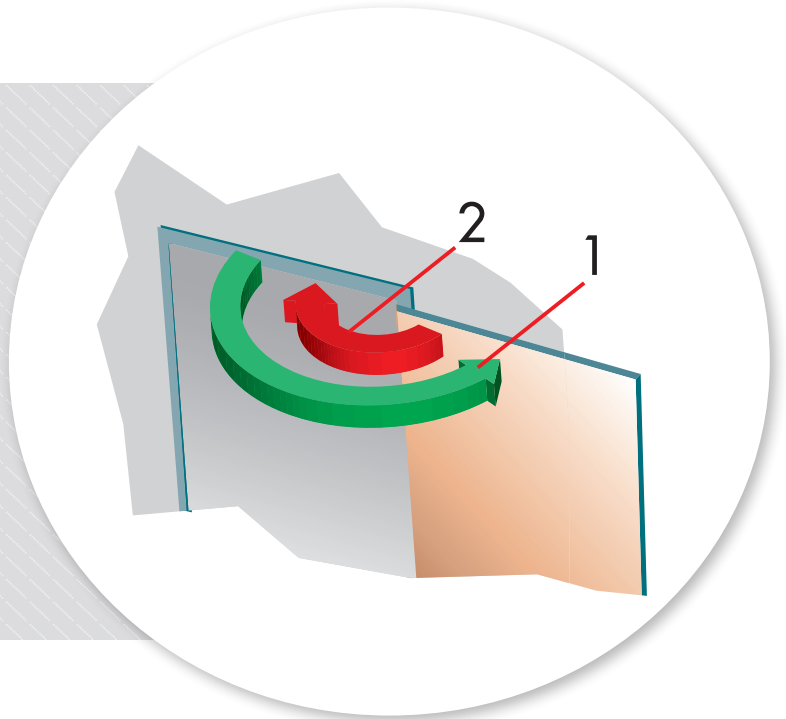
TECHNICAL CHARACTERISTICS	SPRING HINGES
Single action	Nr 0 to 17
Double action	Nr 29 to 42
Maximum weight of the door with 2 hinges nr 17 or 42	70 kg
Maximum weight of the door with 3 hinges nr 17	100 kg
Items sold by pair	YES
Max. rigidity of triple thickness steel binoculars	YES
Stamped steel flap	YES
Flap stability thanks to balancers	YES

SINGLE AND DOUBLE ACTION HINGES

> FUNCTIONS

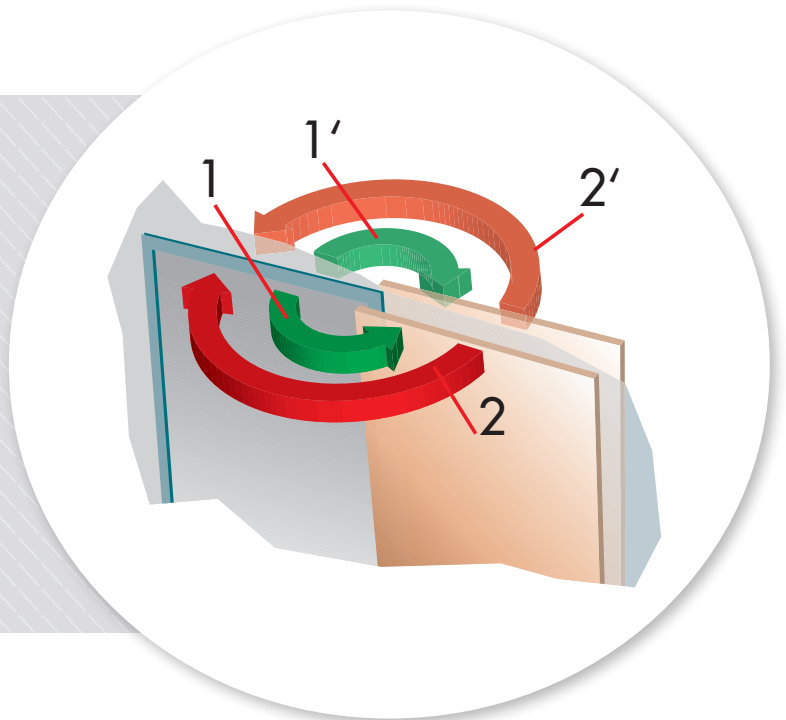
SIMPLE ACTION

- Zone 1: While opening the door, energy is stored in the spring within the hinge. The door opens without much resistance.
- Zone 2: When the door is released, it closes under the action of the spring, which restores its energy.

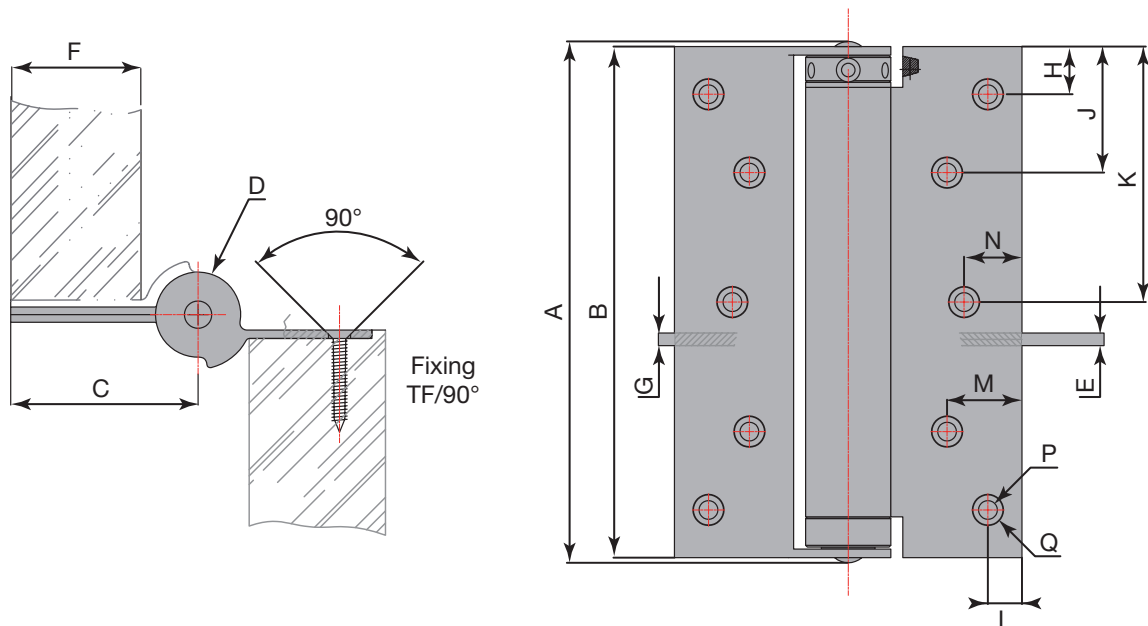


DOUBLE ACTION

- Zone 1 et 1': Regardless of the direction of passage, opening the door will restore the energy in the spring.
- Zone 2 et 2': When the door is released, it closes under the action of the spring, which restores its energy.



> SIMPLE ACTION



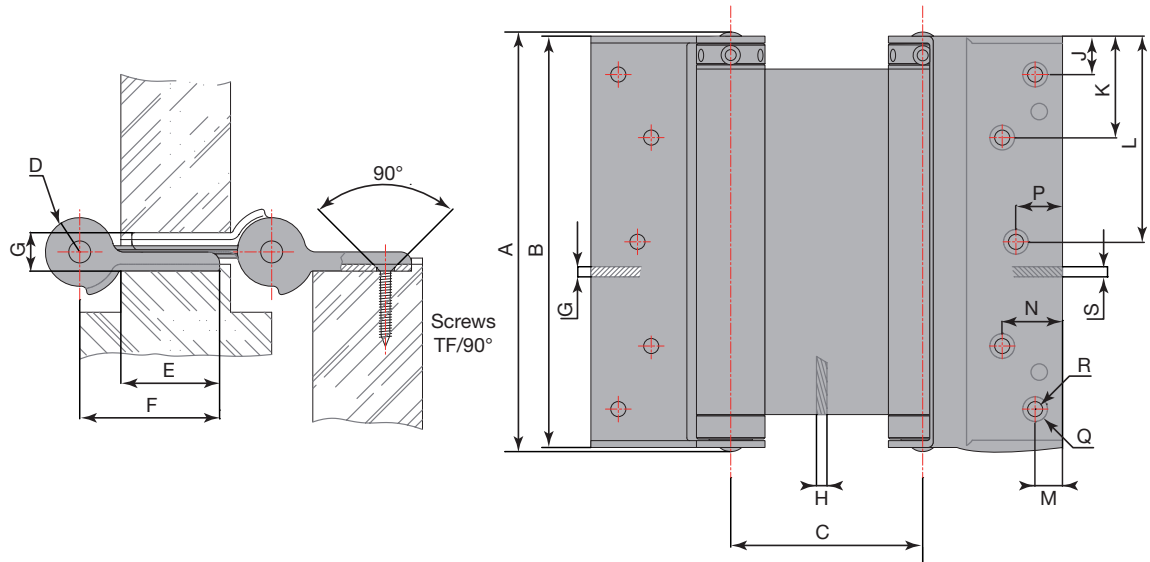
TECHNICAL CHARACTERISTICS

	Nr	0	1	5	9	13	17
Spring hinges							
Height of leaf	mm	75	100	125	150	175	200
Thickness of doors	mm	20 à 25	21 à 30	25 à 35	25 à 40	33 à 50	35 à 55
Width of doors	mm	600	700	700	750	850	1000
Maximum weight of doors equipped	kg	15	22	27	40	55	70
Fixings recommended	TF/90°	4 x 20	4 x 20	4 x 25	4 x 25	6 x 30	6 x 30

Nr	A	B	C	D	E	F	G	H	J	K	L	M	N	O	P
0	78	75	34	19	2	20	2	8	24	-	7	13	-	5,5	8
1	103	100	37,5	21	2	23	2	9	27,5	-	9	15	-	5,5	8
5	128	125	45	22,5	2,4	28	2	9,5	36	62,5	9,5	20	9,5	5,5	8
9	153	150	48	25	3	30	2,5	9	37	75	9	20	13,5	5,5	9
13	179	176	57,5	29	3,6	38	3,5	14	50	87,5	10	24	16,5	7	12
17	203	198	64	33	4	42	4	16	56	100	10	30	18	7	12

SINGLE AND DOUBLE ACTION HINGES

> DOUBLE ACTION



TECHNICAL CHARACTERISTICS

	Nr	29	30	33	36	39	42
Spring hinges	Nr	29	30	33	36	39	42
Height of leaf	mm	75	100	125	150	175	200
Thickness of doors	mm	20 à 25	21 à 30	25 à 35	25 à 40	33 à 50	35 à 55
Width of doors	mm	600	700	700	750	850	1000
Maximum weight of doors equipped with 2 hinges	kg	15	22	27	40	55	70
Fixings recommended	TF/90°	4 x 20	4 x 20	4 x 25	4 x 25	6 x 30	6 x 30

Nr	A	B	C	D	E	F	G	H	J	K	L	M	N	P	Q	R	S
29	78	75	46,5	19	20	33	11	3,2	10	26	-	7,5	12	-	5,5	8,5	2
30	103	100	54,5	21	26	39,2	11	3,2	11	27	-	9	17	-	5,5	8,5	2
33	128	125	62	22,5	31	45	12,5	3,2	11,5	34,5	62,5	11	22	11	5,5	8,5	2
36	153	150	70	25	34	51	14,5	4,7	14	37	75	10,5	22	16	5,5	8,5	2,5
39	180	186	79	29	38	57	16,5	6,3	15	42,5	88	12	29	18,5	7	12	3
42	202	198	85	32	44	64	17	6,3	14	43	99	11	34	23,5	7	12	3

REFERENCES	SIMPLE ACTION HINGES
GR103100	CH 00 LX COMPACT NATURAL STEEL
GR103101	CH 00 LX COMPACT SILVERED STEEL
GR103400	CH 00 LX COMPACT STAINLESS STEEL
GR104100	CH 01 LX COMPACT NATURAL STEEL
GR104101	CH 01 LX COMPACT SILVERED STEEL
GR104400	CH 01 LX COMPACT STAINLESS STEEL
GR105100	CH 05 LX COMPACT NATURAL STEEL
GR105101	CH 05 LX COMPACT SILVERED STEEL
GR105400	CH 05 LX COMPACT STAINLESS STEEL
GR106100	CH 09 LX COMPACT NATURAL STEEL
GR106101	CH 09 LX COMPACT SILVERED STEEL
GR106400	CH 09 LX COMPACT STAINLESS STEEL
GR107120	CH 13 LX COMPACT NATURAL STEEL
GR107121	CH 13 LX COMPACT SILVERED STEEL
GR108120	CH 17 LX COMPACT NATURAL STEEL
GR108121	CH 17 LX COMPACT SILVERED STEEL

Code Z :
0 = right
5 = left

REFERENCES	DOUBLE ACTION HINGES
GR123100	CH 29 LX COMPACT NATURAL STEEL
GR123101	CH 29 LX COMPACT SILVERED STEEL
GR123400	CH 29 LX COMPACT STAINLESS STEEL
GR124100	CH 30 LXC OMPACT NATURAL STEEL
GR124101	CH 30 LX COMPACT SILVERED STEEL
GR124400	CH 30 LX COMPACT STAINLESS STEEL
GR125100	CH 33 LX COMPACT NATURAL STEEL
GR125101	CH 33 LX COMPACT SILVERED STEEL
GR125400	CH 33 LX COMPACT STAINLESS STEEL
GR126100	CH 36 LX COMPACT NATURAL STEEL
GR126101	CH 36 LX COMPACT SILVERED STEEL
GR126400	CH 36 LX COMPACT STAINLESS STEEL
GR127100	CH 39 LX COMPACT NATURAL STEEL
GR127101	CH 39 LX COMPACT SILVERED STEEL
GR127400	CH 39 LX COMPACT STAINLESS STEEL
GR128100	CH 42 LX COMPACT NATURAL STEEL
GR128101	CH 42 LX COMPACT SILVERED STEEL
GR128400	CH 42 LX COMPACT STAINLESS STEEL
190131	GOUJON CH00-01-05-29-30-33 (BAG OF 10 PIECES)
190141	GOUJON CH09-36 (BAG OF 10 PIECES)
190151	GOUJON CH13-17-39-42 (BAG OF 10 PIECES)