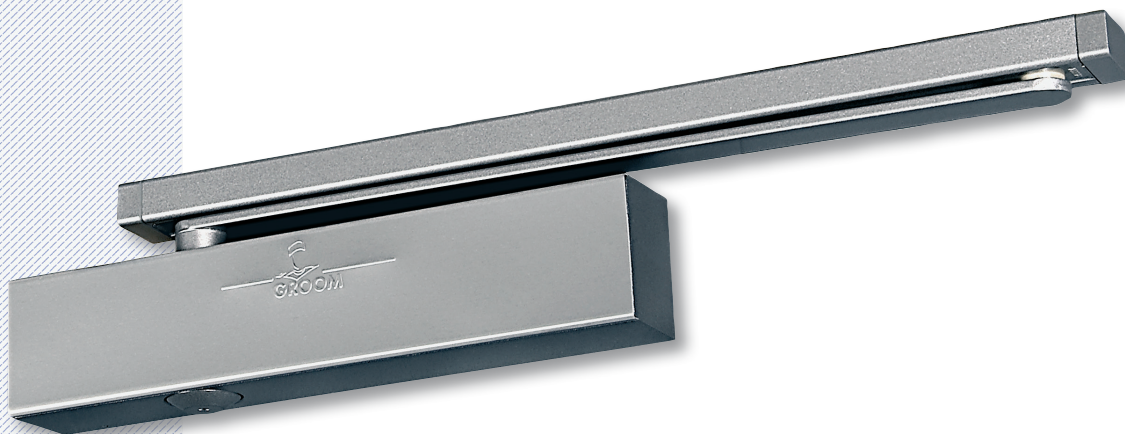


GR500



Our premium product for heavy doors



Disability Compliance
<50N



Firewall Certification
EN 1634 Standard

GROOM PRODUCT ADVANTAGES

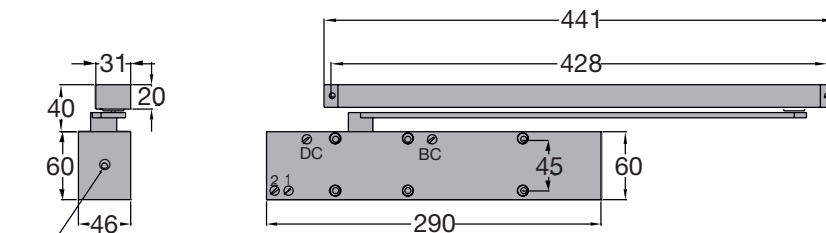
- Adjustable force EN 3 to 5 using jack
- High opening flexibility thanks to its asymmetric pinion technology
- Latching and closing speed adjustable by grub screw on front
- Adjustable backcheck by grub screw on front
- Adjustable delayed closing by grub screw on front as an option
- Relief valve as a standard
- Opening range up to 180° on hinged side
- Invisible fixings hidden by its clipped cover
- Aesthetic, arm without any visible fixing
- Fitting on any type of support (wood, aluminum, PVC)
- Sustainable and continuous adjustments thanks to its thermostable technology
- Optional multiple fittings

5 YEARS WARRANTY



TECHNICAL CHARACTERISTICS	GR500
Closing force	EN 3/5
Maximum dimension of the door	< 1250 mm
Tested to EN 1154	YES
CE mark for construction products	YES
Disability Compliance < 50 N	YES
Fire door, anti-flame and smoke check doors	YES
Adjustable closing speed by grub screw 180° - 15°	YES
Latching adjustable by grub screw 15° - 0°	YES
Adjustable backcheck by grub screw 65° - 180°	YES
Adjustable delayed closing by grub screw 105° - 70°	OPTION
Scissor arm	NO
Slide arm	YES
Hold-open arm module (prohibited on fire doors)	OPTION
Cushioned limit stay	OPTION
Standard colors: silver, white, black	YES
RAL colors	OPTION
High Quality finishes	OPTION

> DOOR-CLOSER DESIGN



Adjust force
EN3 to EN5

- 1: adjustable closing speed 180° - 15°
 2: adjustable latching 15° - 0°
 BC: adjustable backcheck 65° - 180°
 DC: adjustable delayed closing 105° - 70° (option)

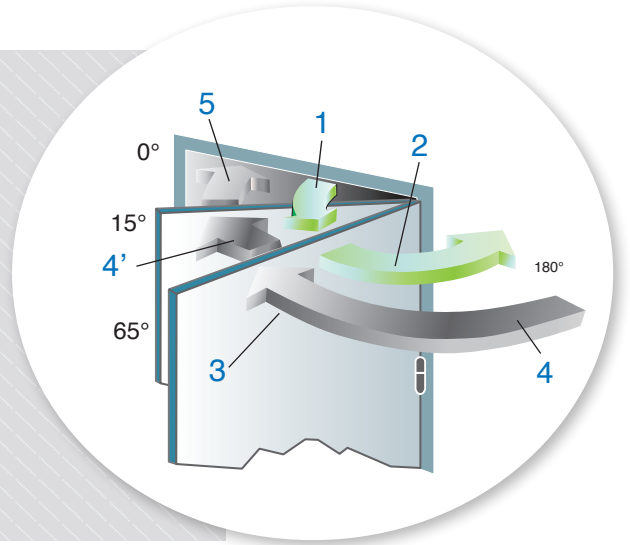


ALL ACCESSORIES ARE AVAILABLE ON PAGES 44/45

GR500 FIXING

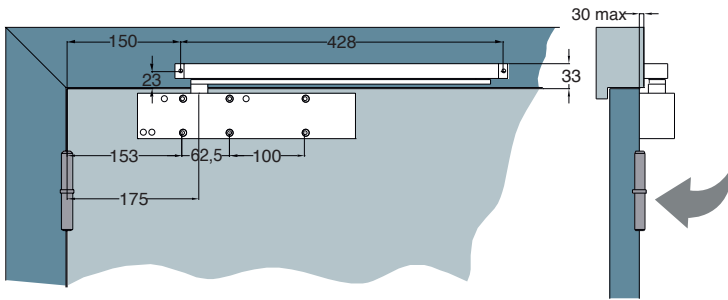
> FONCTIONS

- Zone 1: Regular opening of the door up to 65°
- Zone 2: Adjustable backcheck 65° - 180°
- Zone 3: Adjustable delayed closing 105° - 70° (option)
- Zone 4 et 4': Adjustable closing speed 180° - 15°
- Zone 5: Adjustable latching 15° - 0°

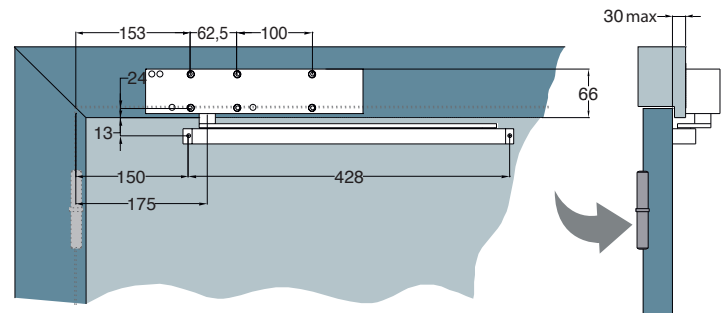


> INSTALLATION

Fitted on pull side body on door

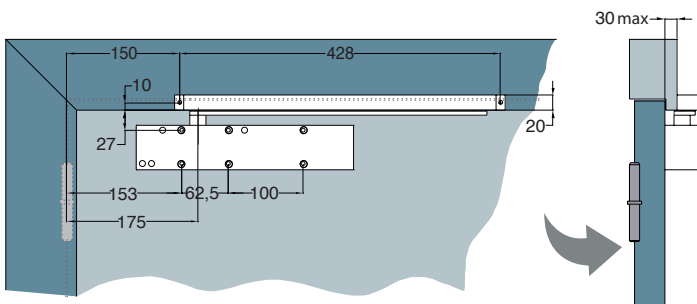


Fitted on push side body on frame

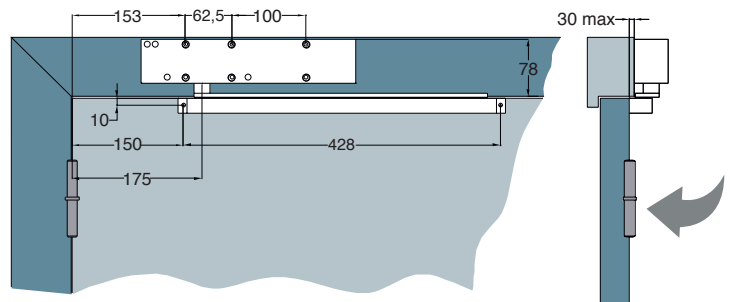


> GR500 REVERSE

Fitted on push side body on door



Fitted on pull side body on frame



> DESCRIPTION

GROOM door closer GR500, with symmetrical rack and pinion technology and slide arm, compliance with EN 1154, CE mark, disability compliance < 50 N.

- Adjustable force EN 3 to 5 by grub screw for doors up to 1250 mm width and / or 100 kg with an opening angle up to 180°.
- Closing speed and latching adjustments by grub screw on front and hidden under the cover plate.
- Adjustable backcheck by grub screw on front hidden under the cover plate.
- Adjustable delayed closing by grub screw on front, as an option, hidden under the cover plate.
- Invisible body and arm fixings hidden by its clipped cover.
- Pull or push side installation. Reversible, non-handed.
- Thermostable hydraulic from -20° to +40°, equipped with pressure relief valves.
- Silver, white, black, RAL finishes, high quality finishes.
- Accessories: DIN mounting plate for metal profile mounting, hold-open arm module, cushioned limit stay.

REFERENCES	GR500
COMPLETE DOOR CLOSER	
GR50051X	GR500 BC SLIDE ARM
GR50071X	GR500 BC/DC SLIDE ARM
GR50571X	GR500 BC/DC REVERSE SLIDE ARM
BODY ONLY	
GR50001X	GR500 BC BODY ONLY
GR50021X	GR500 BC/DC BODY ONLY
GR50521X	GR500 BC/DC REVERSE BODY ONLY
SLIDE ARM	
GR50050X	SLIDE ARM 400/450/500
GR50060X	SLIDE ARM 400/450/500 WITH HOLD-OPEN
GR509400	HOLD-OPEN ARM MODULE ONLY 400/450/500
GR509300	CUSHIONED LIMIT STAY (MECHANICAL) 400/450/500
GR50920X	SUPPORT PLATE FOR SLIDE ARM
ACCESSORIES	
GR50900X	GR500 DIN MOUNTING PLATE
GR50980X	GR500 RIGHT MOUNTING PLATE
GR50990X	ANGLED GR500 MOUNTING PLATE
HIGH QUALITY FINISHES	
GR500310	GRHF500 BC BODY ONLY BODY STAINLESS STEEL BRUSH
GR500315	GRHF500 BC BODY ONLY CHROME DESIGN
GR500318	GRHF500 BC BODY ONLY BRASS STYLE
GR500530	SLIDE ARM GR500 STAINLESS STEEL BRUSH
GR500540	SLIDE ARM GR500 CHROME DESIGN
GR500520	SLIDE ARM GR500 BRASS STYLE

Code X = Finish Code

0 = RAL 9016 white
 1 = silver
 5 = RAL 9005 black
 8 = other RAL (option)

BC/DC = BackCheck and Delayed Closing